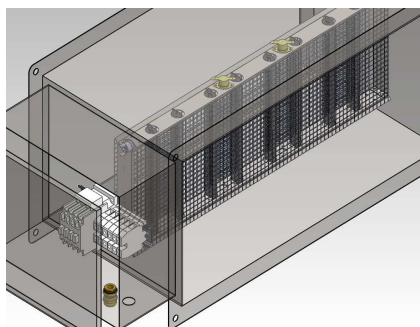




RE-TCF-SCT HEATERS SERIES



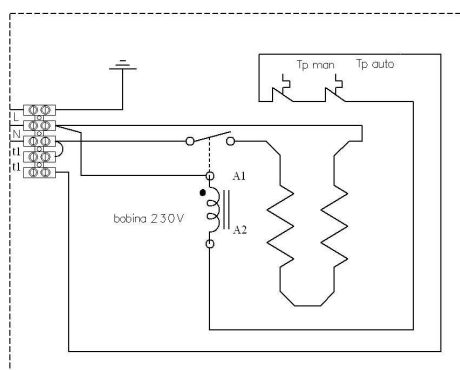
This range consists of wire heater mounted in galvanized steel rectangular duct and complete with:

- Contactor;
- Terminal block;
- Cable clamp.

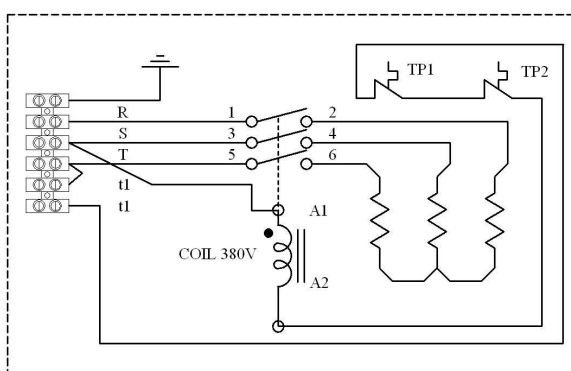
This heaters are equipped with automatic and manual reset thermal protection, calibrated for intervening in case of no or poor ventilation.

The heater has an auxiliary contact that allows remote control with a free contact resulting from an external switch or a room thermostat.

SINGLE PHASE



THREE PHASES

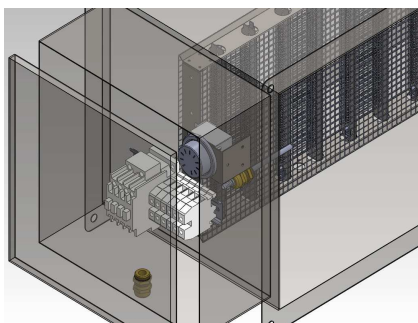


The following table shows heaters that are available in stock; for different power or size please contact our technical department.

RECTANGULAR DUCT WITH RE-TCF-SCT WIRE HEATERS				
Code	Dimension (mm)	Power (W)	Voltage (V)	Note
RE-TCF-SCT35020-M	350x250x300	2000	230-1	
RE-TCF-SCT35030-M	350x250x300	3000	230-1	
RE-TCF-SCT35040-M	350x250x300	4000	230-1	
RE-TCF-SCT35030-T	350x250x300	3000	400-3	
RE-TCF-SCT35060-T	350x250x300	6000	400-3	
RE-TCF-SCT40025-M	400x300x300	2600	230-1	
RE-TCF-SCT40040-M	400x300x300	4000	230-1	
RE-TCF-SCT40040-T	400x300x300	4000	400-3	
RE-TCF-SCT40080-T	400x300x300	8000	400-3	
RE-TCF-SCT45030-M	450x300x300	3000	230-1	
RE-TCF-SCT45045-M	450x300x300	4500	230-1	
RE-TCF-SCT45045-T	450x300x300	4500	400-3	
RE-TCF-SCT45090-T	450x300x300	9000	400-3	



RE-TCF-SCTTC HEATERS SERIES



This range consists of wire heater mounted in galvanized steel rectangular duct and complete with:

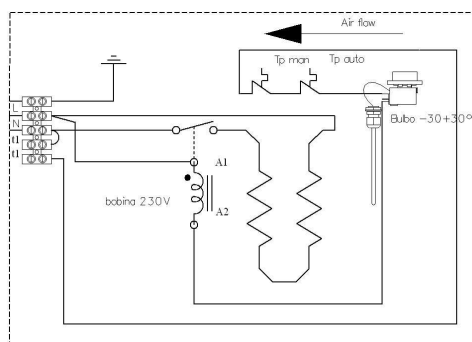
- Adjustable bulb thermostat $-30/+30^{\circ}\text{C}$;
- Contactor;
- Terminal block;
- Cable gland.

This heaters are equipped with automatic and manual reset thermal protection, calibrated for intervening in case of no or poor ventilation.

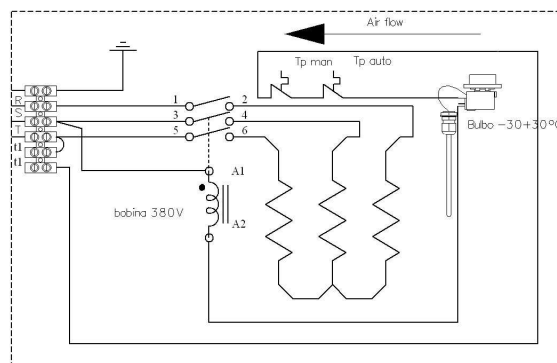
Adjustable bulb thermostat $-30/+30^{\circ}\text{C}$ installed on the inlet allows to set intervention temperature of resistance; the device turns on automatically when reach set temperature.

The heater has an auxiliary contact that allows remote control with a free contact resulting from an external switch or a room thermostat.

SINGLE PHASE



THREE PHASES



The following table shows heaters that are available in stock; for different power or size please contact our technical department.

RECTANGULAR DUCT WITH RE-TCF-SCTTC WIRE HEATERS				
Code	Dimension (mm)	Power (W)	Voltage (V)	Note
RE-TCF-SCTTC35020-M	350x250x300	2000	230-1	
RE-TCF-SCTTC35030-M	350x250x300	3000	230-1	
RE-TCF-SCTTC35040-M	350x250x300	4000	230-1	
RE-TCF-SCTTC35030-T	350x250x300	3000	400-3	
RE-TCF-SCTTC35060-T	350x250x300	6000	400-3	
RE-TCF-SCTTC40026-M	400x300x300	2600	230-1	
RE-TCF-SCTTC40040-M	400x300x300	4000	230-1	
RE-TCF-SCTTC40040-T	400x300x300	4000	400-3	
RE-TCF-SCTTC40080-T	400x300x300	8000	400-3	
RE-TCF-SCTTC45030-M	450x300x300	3000	230-1	
RE-TCF-SCTTC45045-M	450x300x300	4500	230-1	
RE-TCF-SCTTC45045-T	450x300x300	4500	400-3	
RE-TCF-SCTTC45090-T	450x300x300	9000	400-3	