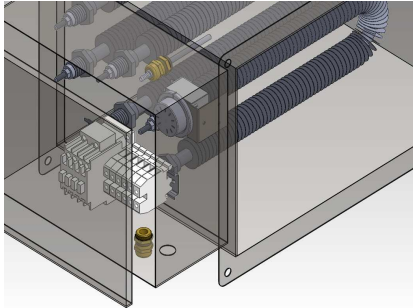




## RE-TCC-SCT HEATERS SERIES



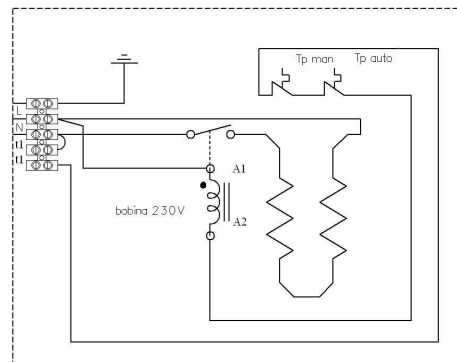
This range consists of stainless steel finned heating elements mounted in galvanized steel rectangular duct and complete with:

- Contactor;
- Terminal block;
- Cable clamp.

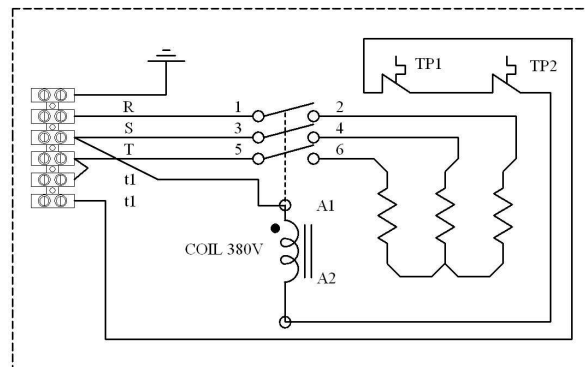
This heaters are equipped with automatic and manual reset thermal protection, calibrated for intervening in case of no or poor ventilation.

The heater has an auxiliary contact that allows remote control with a free contact resulting from an external switch or a room thermostat.

### SINGLE PHASE



### THREE PHASES

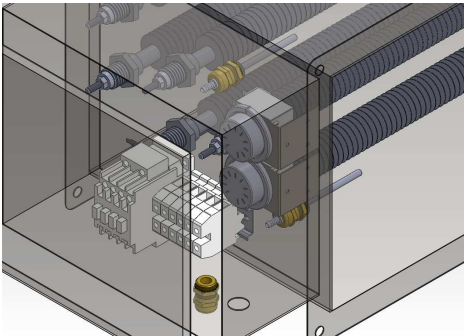


The following table shows heaters that are available in stock; for different power or size please contact our technical department.

| <b>RECTANGULAR DUCT WITH RE-TCC-SCT INOX FINNED HEATING ELEMENTS HEATERS</b> |                       |                  |                    |             |
|--|-----------------------|------------------|--------------------|-------------|
| <b>Code</b>  | <b>Dimension (mm)</b> | <b>Power (W)</b> | <b>Voltage (V)</b> | <b>Note</b> |
| RE-TCC-SCT35020-M  | 350x250x300           | 2000             | 230-1              |             |
| RE-TCC-SCT35030-M  | 350x250x300           | 3000             | 230-1              |             |
| RE-TCC-SCT35040-M  | 350x250x300           | 4000             | 230-1              |             |
| RE-TCC-SCT35030-T  | 350x250x300           | 3000             | 400-3              |             |
| RE-TCC-SCT35060-T  | 350x250x400           | 6000             | 400-3              |             |
| RE-TCC-SCT40025-M  | 400x300x300           | 2600             | 230-1              |             |
| RE-TCC-SCT40040-M  | 400x300x300           | 4000             | 230-1              |             |
| RE-TCC-SCT40040-T  | 400x300x300           | 4000             | 400-3              |             |
| RE-TCC-SCT40080-T  | 400x300x400           | 8000             | 400-3              |             |
| RE-TCC-SCT45030-M  | 450x300x300           | 3000             | 230-1              |             |
| RE-TCC-SCT45045-M  | 450x300x300           | 4500             | 230-1              |             |
| RE-TCC-SCT45045-T  | 450x300x300           | 4500             | 400-3              |             |
| RE-TCC-SCT45090-T  | 450x300x400           | 9000             | 400-3              |             |



## RE-TCC-SCTTC HEATERS SERIES



This range consists of stainless steel finned heating elements mounted in galvanized steel rectangular duct and complete with:

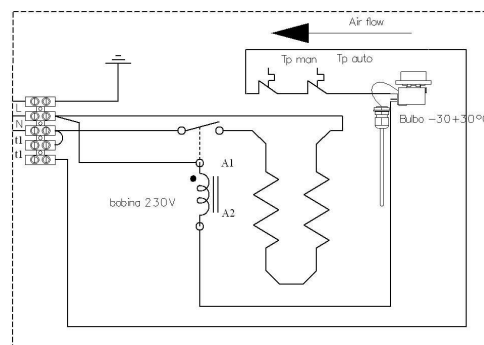
- Adjustable bulb thermostat  $-30/+30^{\circ}\text{C}$ ;
- Contactor;
- Terminal block;
- Cable clamp.

This heaters are equipped with automatic and manual reset thermal protection, calibrated for intervening in case of no or poor ventilation.

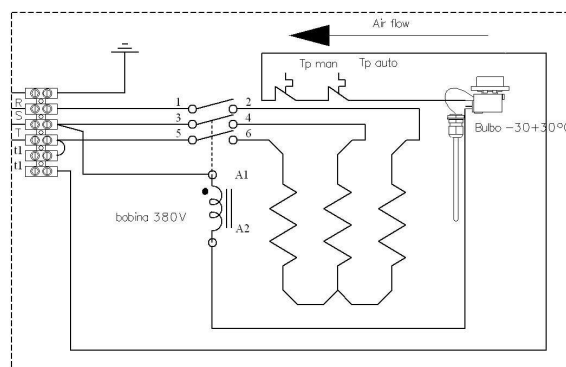
Adjustable bulb thermostat  $-30/+30^{\circ}\text{C}$  installed on the inlet allows to set intervention temperature of resistance; the device turns on automatically when reach set temperature.

The heater has an auxiliary contact that allows remote control with a free contact resulting from an external switch or a room thermostat.

### SINGLE PHASE



### THREE PHASES



The following table shows heaters that are available in stock; for different power or size please contact our technical department.

| <b>RECTANGULAR DUCT WITH RE-TCC-SCTTC INOX FINNED HEATING ELEMENTS HEATERS</b> |                       |                  |                    |             |
|--|-----------------------|------------------|--------------------|-------------|
| <b>Code</b>  | <b>Dimension (mm)</b> | <b>Power (W)</b> | <b>Voltage (V)</b> | <b>Note</b> |
| RE-TCC-SCTTC35020-M  | 350x250x300           | 2000             | 230-1              |             |
| RE-TCC-SCTTC35030-M  | 350x250x300           | 3000             | 230-1              |             |
| RE-TCC-SCTTC35040-M  | 350x250x300           | 4000             | 230-1              |             |
| RE-TCC-SCTTC35030-T  | 350x250x300           | 3000             | 400-3              |             |
| RE-TCC-SCTTC35060-T  | 350x250x400           | 6000             | 400-3              |             |
| RE-TCC-SCTTC40025-M  | 400x300x300           | 2600             | 230-1              |             |
| RE-TCC-SCTTC40040-M  | 400x300x300           | 4000             | 230-1              |             |
| RE-TCC-SCTTC40040-T  | 400x300x300           | 4000             | 400-3              |             |
| RE-TCC-SCTTC40080-T  | 400x300x400           | 8000             | 400-3              |             |
| RE-TCC-SCTTC45030-M  | 450x300x300           | 3000             | 230-1              |             |
| RE-TCC-SCTTC45045-M  | 450x300x300           | 4500             | 230-1              |             |
| RE-TCC-SCTTC45045-T  | 450x300x300           | 4500             | 400-3              |             |
| RE-TCC-SCTTC45090-T  | 450x300x400           | 9000             | 400-3              |             |