

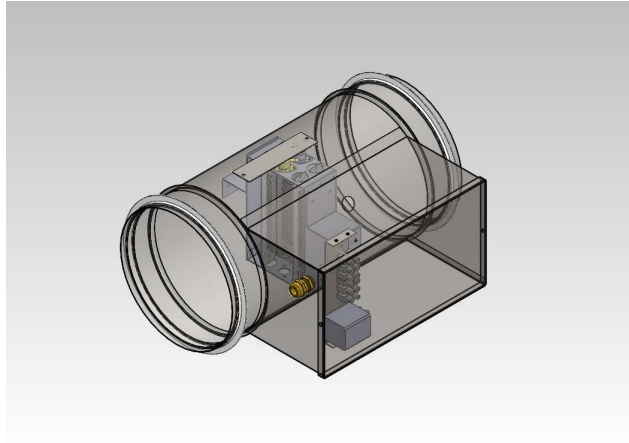


RCF-SCT CIRCULAR HEATERS SERIES

RCF-SCT

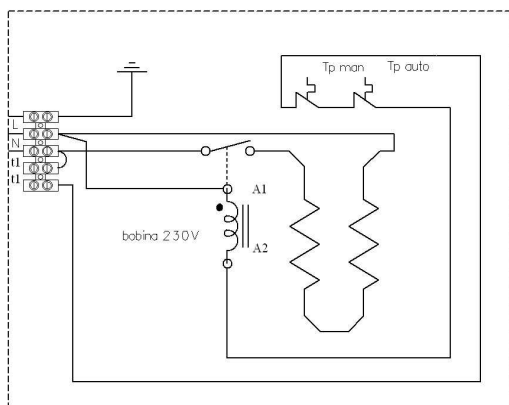
Circular heaters with wire heating elements complete with:

- Automatic reset thermal protection;
- Manual reset thermal protection;
- Contactor;
- Terminal block;
- Cable clamp.

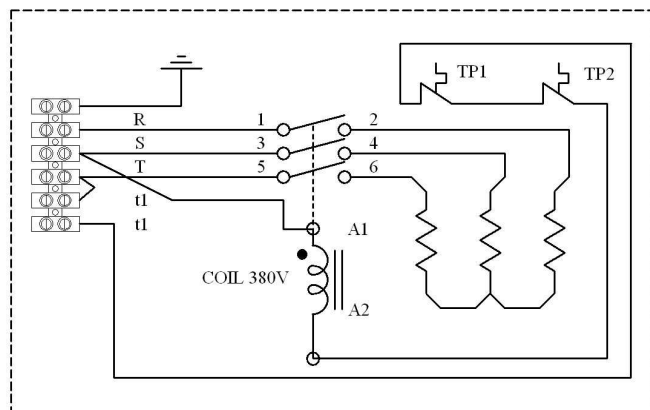


This heaters are equipped with automatic and manual reset thermal protection, calibrated for intervening in case of no or poor ventilation.

The heater has an auxiliary contact that allows remote control with a free contact resulting from an external switch or a room thermostat.



SINGLE PHASE



THREE PHASES

The following table shows heaters that are available in stock; for different power or size please contact our technical department.

RCF-SCT CIRCULAR HEATERS SERIES				
Code	Diameter (mm)	Power (W)	Voltage (V)	Note
RCF-SC-20010-M	200	1.000	230-1	
RCF-SC-20020-M	200	2.000	230-1	
RCF-SCT-20030-M	200	3.000	230-1	
RCF-SCT-20030-T	200	3.000	400-3	
RCF-SCT-20045-T	200	4.500	400-3	
RCF-SC-25010-M	250	1.000	230-1	
RCF-SC-25020-M	250	2.000	230-1	
RCF-SCT-25030-M	250	3.000	230-1	
RCF-SCT-25030-T	250	3.000	400-3	
RCF-SCT-25045-T	250	4.500	400-3	
RCF-SCT-31530-M	315	3.000	230-1	
RCF-SCT-31530-T	315	3.000	400-3	
RCF-SCT-31545-T	315	4.500	400-3	
RCF-SCT-31560-T	315	6.000	400-3	
RCF-SCT-40030-M	400	3.000	230-1	
RCF-SCT-40045-T	400	4.500	400-3	
RCF-SCT-40060-T	400	6.000	400-3	
RCF-SCT-40090-T	400	9.000	400-3	
RCF-SCT-400120-T	400	12.000	400-3	

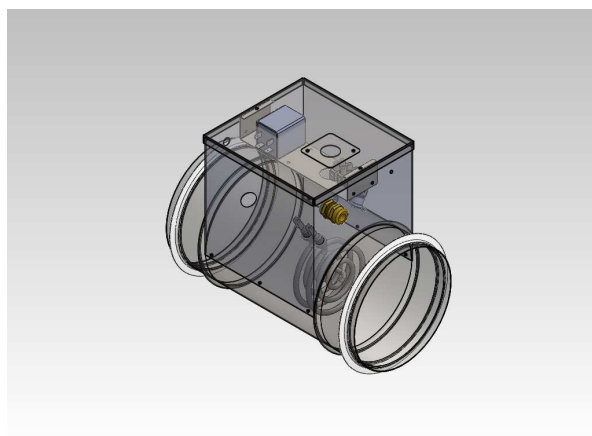


RCC-SCT CIRCULAR HEATERS SERIES

RCC-SCT

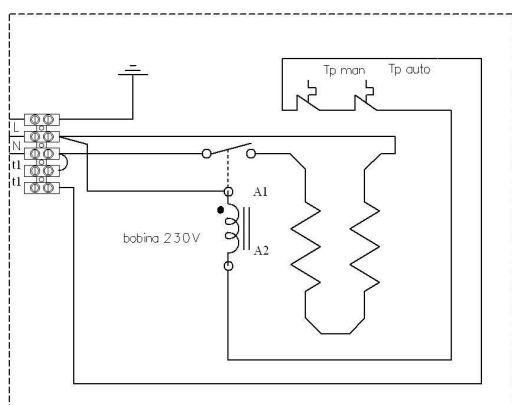
Circular heaters with stainless finned heating elements complete with:

- Automatic reset thermal protection;
- Manual reset thermal protection;
- Contactor;
- Terminal block;
- Cable clamp.

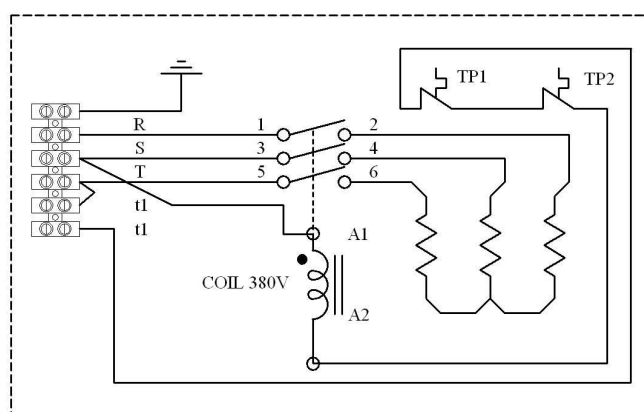


This heaters are equipped with automatic and manual reset thermal protection, calibrated for intervening in case of no or poor ventilation.

The heater has an auxiliary contact that allows remote control with a free contact resulting from an external switch or a room thermostat.



SINGLE PHASE



TRHEE PHASES

The following table shows heaters that are available in stock; for different power or size please contact our technical department.

RCC-SCT CIRCULAR HEATERS SERIES				
Code	Diameter (mm)	Power (W)	Voltege (V)	Note
RCC-SC-12505-M	125	500	230-1	
RCC-SC-12510-M	125	1.000	230-1	
RCC-SC-15007-M	150	750	230-1	
RCC-SC-15015-M	150	1.500	230-1	
RCC-SCT-15022-M	150	2.250	230-1	
RCC-SCT-15022-T	150	2.250	400-3	
RCC-SC-16007-M	160	750	230-1	
RCC-SC-16015-M	160	1.500	230-1	
RCC-SCT-16022-M	160	2.250	230-1	
RCC-SCT-16022-T	160	2.250	400-3	
RCC-SC-20010-M	200	1.000	230-1	
RCC-SC-20020-M	200	2.000	230-1	
RCC-SCT-20030-M	200	3.000	230-1	
RCC-SCT-20030-T	200	3.000	400-3	
RCC-SCT-20045-T	200	4.500	400-3	
RCC-SC-25010-M	250	1.000	230-1	
RCC-SC-25020-M	250	2.000	230-1	
RCC-SCT-25030-M	250	3.000	230-1	
RCC-SCT-25030-T	250	3.000	400-3	
RCC-SCT-25045-T	200	4.500	400-3	
RCC-SC-31520-M	315	2.000	230-1	
RCC-SCT-31530-M	315	3.000	230-1	
RCC-SCT-31540-M	315	4.000	230-1	
RCC-SCT-31530-T	315	3.000	400-3	
RCC-SCT-31560-T	315	6.000	400-3	

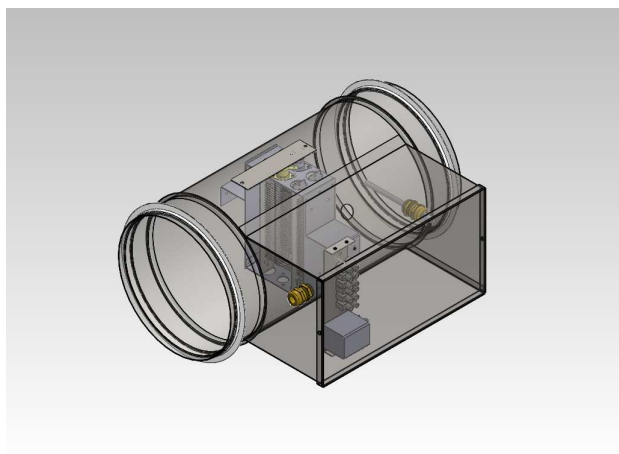


RCF-SCTTC CIRCULAR HEATERS SERIES

RCF-SCTTC

Circular heaters with wire heating elements complete with:

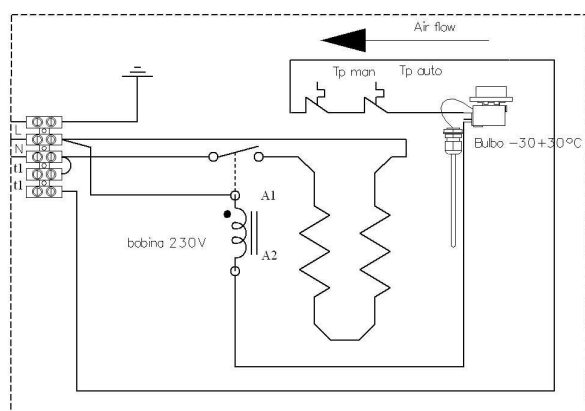
- Automatic reset thermal protection;
- Manual reset thermal protection;
- Contactor;
- Terminal block;
- Adjustable bulb thermostat $-30/+30^{\circ}\text{C}$;
- Cable clamp.



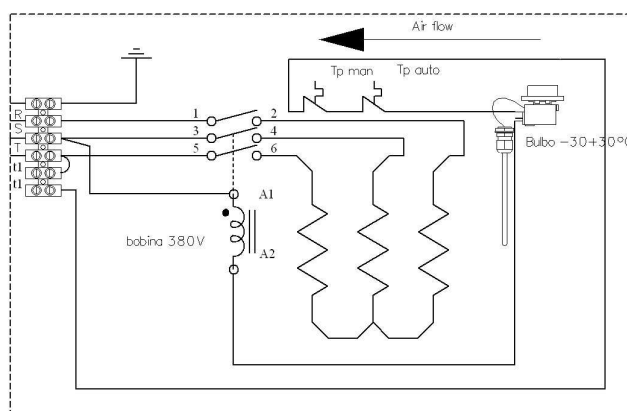
This heaters are equipped with automatic and manual reset thermal protection, calibrated for intervening in case of no or poor ventilation.

Adjustable bulb thermostat $-30/+30^{\circ}\text{C}$ installed on the inlet allows to set intervention temperature of resistance; the device turns on automatically when reach set temperature.

The heater has an auxiliary contact that allows remote control with a free contact resulting from an external switch or a room thermostat.



SINGLE PHASE



THREE PHASES

The following table shows heaters that are available in stock; for different power or size please contact our technical department.

RCF-SCTTC CIRCULAR HEATERS SERIES				
Code	Diameter (mm)	Power (W)	Voltage (V)	Note
RCF-SCTC-20010-M	200	1.000	230-1	
RCF-SCTC-20020-M	200	2.000	230-1	
RCF-SCTTC-20030-M	200	3.000	230-1	
RCF-SCTTC-20030-T	200	3.000	400-3	
RCF-SCTTC-20045-T	200	4.500	400-3	
RCF-SCTC-25010-M	250	1.000	230-1	
RCF-SCTC-25020-M	250	2.000	230-1	
RCF-SCTTC-25030-M	250	3.000	230-1	
RCF-SCTTC-25030-T	250	3.000	400-3	
RCF-SCTTC-25045-T	250	4.500	400-3	
RCF-SCTTC-31530-M	315	3.000	230-1	
RCF-SCTTC-31530-T	315	3.000	400-3	
RCF-SCTTC-31545-T	315	4.500	400-3	
RCF-SCTTC-31560-T	315	6.000	400-3	
RCF-SCTTC-40030-M	400	3.000	230-1	
RCF-SCTTC-40045-T	400	4.500	400-3	
RCF-SCTTC-40060-T	400	6.000	400-3	
RCF-SCTTC-40090-T	400	9.000	400-3	
RCF-SCTTC-400120-T	400	12.000	400-3	

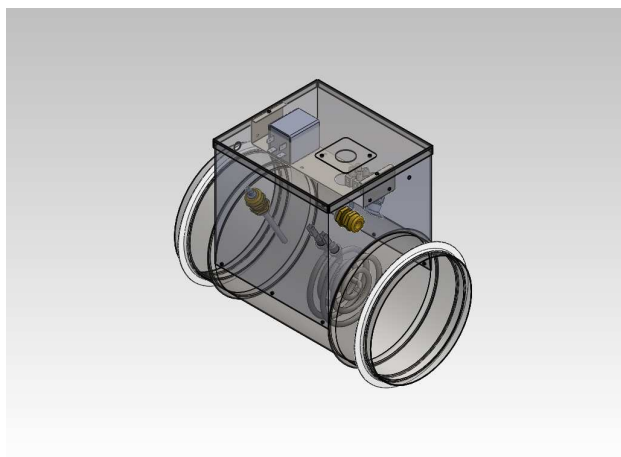


RISCALDATORI CIRCOLARI SERIE RCC-SCTTC

RCC-SCTTC

Circular heaters with stainless finned heating elements complete with:

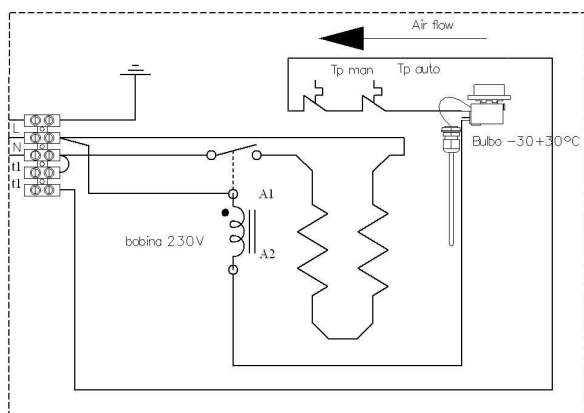
- Automatic reset thermal protection;
- Manual reset thermal protection;
- Contactor;
- Terminal block;
- Adjustable bulb thermostat $-30/+30^{\circ}\text{C}$;
- Cable clamp.



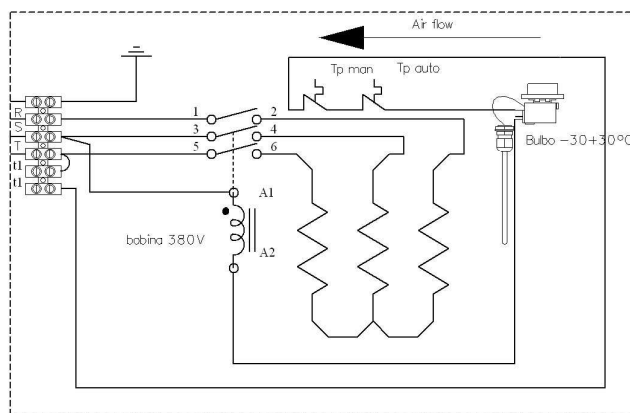
This heaters are equipped with automatic and manual reset thermal protection, calibrated for intervening in case of no or poor ventilation.

Adjustable bulb thermostat $-30/+30^{\circ}\text{C}$ installed on the inlet allows to set intervention temperature of resistance; the device turns on automatically when reach set temperature.

The heater has an auxiliary contact that allows remote control with a free contact resulting from an external switch or a room thermostat.



SINGLE PHASE



THREE PHASES

The following table shows heaters that are available in stock; for different power or size please contact our technical department.

RCC-SCTTC CIRCULAR HEATERS SERIES				
Code	Diameter (mm)	Power (W)	Voltage (V)	Note
RCC-SCTC-12505-M	125	500	230-1	
RCC-SCTC-12510-M	125	1.000	230-1	
RCC-SCTC-15007-M	150	750	230-1	
RCC-SCTC-15015-M	150	1.500	230-1	
RCC-SCTTC-15022-M	150	2.250	230-1	
RCC-SCTTC-15022-T	150	2.250	400-3	
RCC-SCTC-16007-M	160	750	230-1	
RCC-SCTC-16015-M	160	1.500	230-1	
RCC-SCTTC-16022-M	160	2.250	230-1	
RCC-SCTTC-16022-T	160	2.250	400-3	
RCC-SCTC-20010-M	200	1.000	230-1	
RCC-SCTC-20020-M	200	2.000	230-1	
RCC-SCTTC-20030-M	200	3.000	230-1	
RCC-SCTTC-20030-T	200	3.000	400-3	
RCC-SCTTC-20045-T	200	4.500	400-3	
RCC-SCTC-25010-M	250	1.000	230-1	
RCC-SCTC-25020-M	250	2.000	230-1	
RCC-SCTTC-25030-M	250	3.000	230-1	
RCC-SCTTC-25030-T	250	3.000	400-3	
RCC-SCTTC-25045-T	200	4.500	400-3	
RCC-SCTC-31520-M	315	2.000	230-1	
RCC-SCTTC-31530-M	315	3.000	230-1	
RCC-SCTTC-31540-M	315	4.000	230-1	
RCC-SCTTC-31530-T	315	3.000	400-3	
RCC-SCTTC-31560-T	315	6.000	400-3	