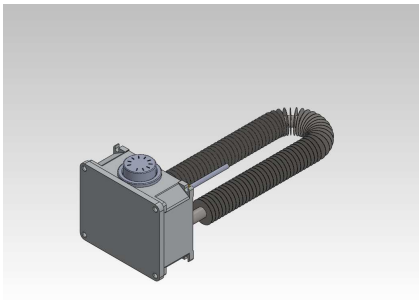




## RE-QE HEATERS SERIES



RE-QE heaters for electric board have been created to solve problems in those places where a too low temperature could cause malfunctions in electrical equipment.

A range of 0 to 90°C temperature can be easily set with the adjustable knob applied to the automatic reset bulb thermostat fitted as standard.

The heating elements are mounted in an alluminium box and are supplied with power cable (1m 3x1,5).

The following table shows heaters that are available in stock; for different power or size please contact our technical department.

RE-QE HEATERS SERIES				
Code	Dimension (mm)	Power (W)	Voltage (V)	Note
RE-QE	375x170x150	500	230-1	
RE-QE	375x170x150	1000	230-1	
RE-QE	425x170x150	1300	230-1	

### Size and wiring diagram:

