



DISC THERMOSTAT (AUTOMATIC RESET)

Function:

Single pole bimetallic disc thermostat with fast opening of the contact and automatic reset.

Intervention tolerance: 5°C

Restore tolerance: 7°C

Maximum ambient temperature: T210

Minimum current: 200mA

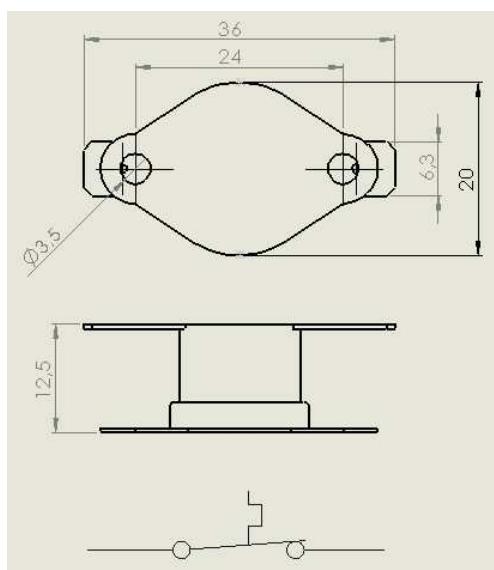
Maximum current: 16A

Weight: 4.5gr

The intervention temperature may change depending on application.
Manufactured in accordance with 60730 standard.

Code	Description	Temp.	Contact	Current
1.07.0014	Termostato a disco riarmo aut.	45°C	NC	16A
1.07.0021	Termostato a disco riarmo aut.	55°C	NC	16A
1.07.0039	Termostato a disco riarmo aut.	90°C	NC	16A
1.07.0047	Termostato a disco riarmo aut.	100°C	NA	16A
1.07.0012	Termostato a disco riarmo aut.	200°C	NC	16A

Size and wiring diagram:





DISC THERMOSTAT (MANUAL RESET)

Function:

Single pole bimetallic disc thermostat with fast opening of the contact and manual reset.

Intervention tolerance: 5°C

Restore tolerance: 7°C

Maximum ambient temperature: T210

Minimum current: 200mA

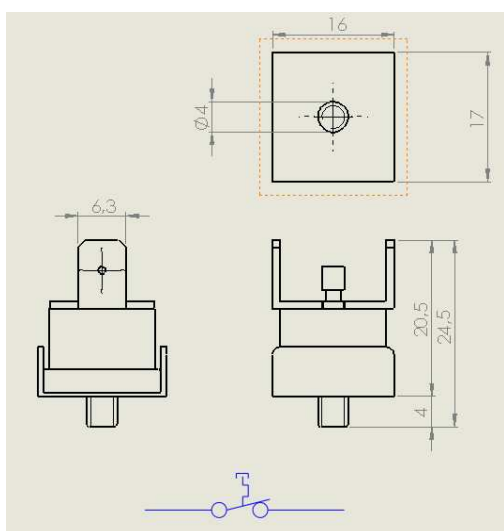
Maximum current: 16A

Weight: 4.5gr

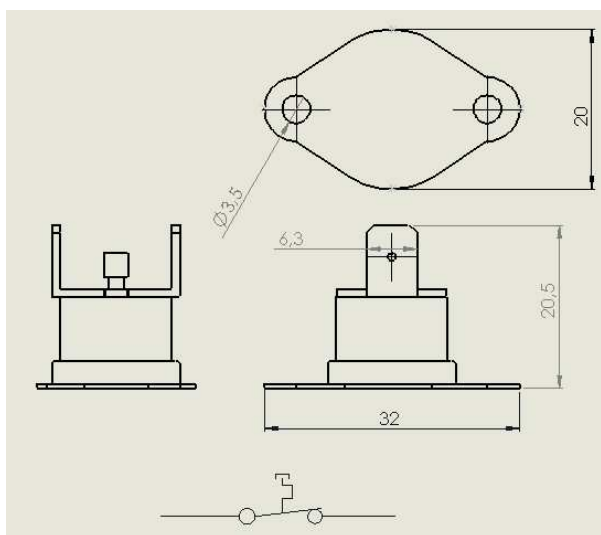
The intervention temperature may change depending on application.
Manufactured in accordance with 60730 standard.

Code	Description	Temp.	Contact	Current
1.07.0013	Termostato a disco riarmo man.	70°C	NC	16A
1.07.0007	Termostato a disco riarmo man.	85°C	NC	16A
1.07.0046	Termostato a disco riarmo man.	220°C	NC	16A

Size and wiring diagram:



1.07.0046



1.07.0007 / 1.07.0013