



DIFFERENTIAL PRESSURE SWITCH

Functions:

The pressure switch is suitable for the control of air and non-corrosive or flammable gases pressure with an alarm signal to the achievement of set point.

Use:

On air conditioning and ventilation systems in domestic and industrial environments with a strong air pollution for:

- Clogging filters control;
- Low and overpressure control;
- Interruption of heaters in case of non or poor ventilation.

Specifications:

Sensing range: 20-300Pa

Contact capacity: 250VAC 1.5 (0.4) A

Operation: -20 / +85°C

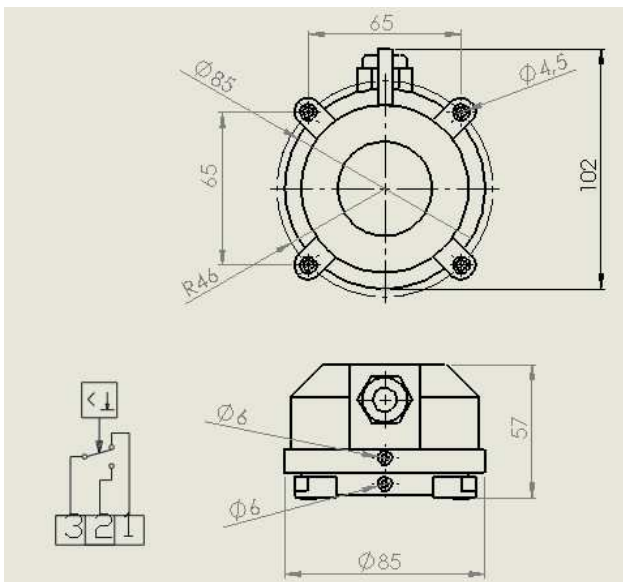
Membrane: Silicone (LSR)

Protection: IP54 (class II)

Weight: 180g approx.

Manufactured in accordance with EN1854 standard.

Size and wiring diagram:



Note:

P1 port for high pressure or lower vacuum.
 P2 port for low pressure or high vacuum.
 Connection for 5x8mm PVC hose (not supplied).