



-30/+30°C ADJUSTABLE BULB THERMOSTAT

Function:

Adjustable $-30/+30^{\circ}\text{C}$ thermostat with capillary liquid dilatation probe, unipolar switch with communication contact.

Application:

Particularly suitable for automatic temperature control of boilers, electric heaters, washing machine and dishwasher as well as various other application in the field of domestic and industrial heating.

The thermostat is provided with locking ring, graduated knob and fixing bracket made of galvanized steel.

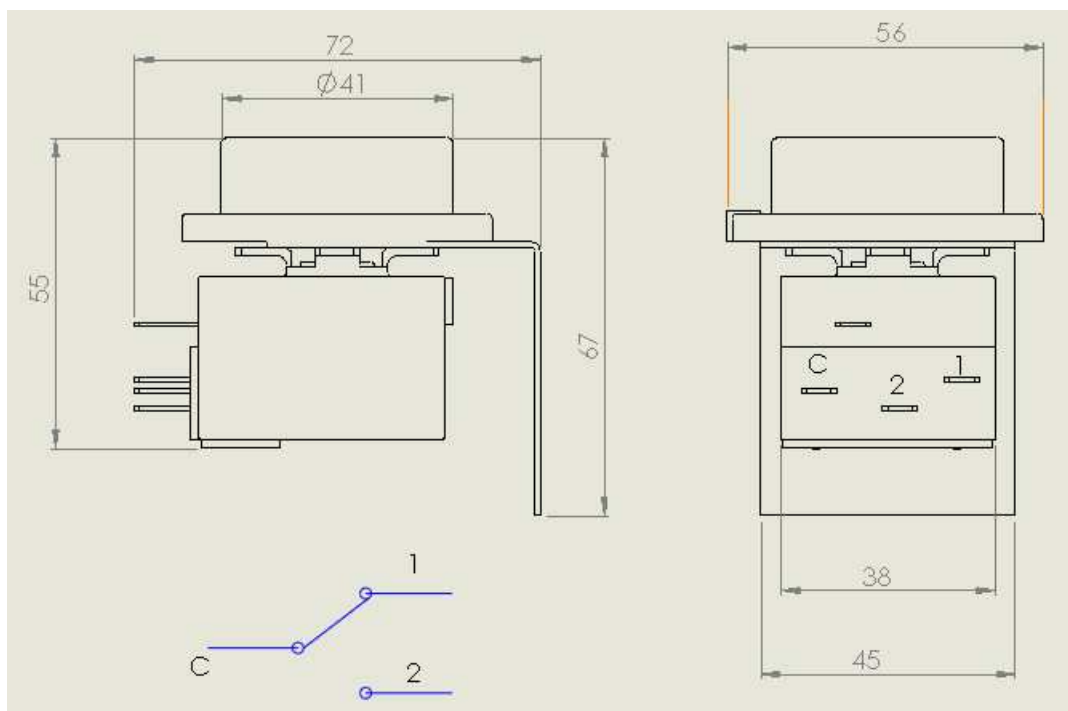
Specification:

Contact capacity: NC 15 (2.5) A/250V

Differential: 2/10K \pm 2K

Maximum head temperature: 80°C

Size and wiring diagram:





0/90°C ADJUSTABLE BULB THERMOSTAT

Function:

Adjustable 0/90°C thermostat with capillary liquid dilatation probe, unipolar switch with communication contact.

Application:

Particularly suitable for automatic temperature control of boilers, electric heaters, washing machine and dishwasher as well as various other application in the field of domestic and industrial heating.

The thermostat is provided with locking ring, graduated knob and fixing bracket made of galvanized steel.

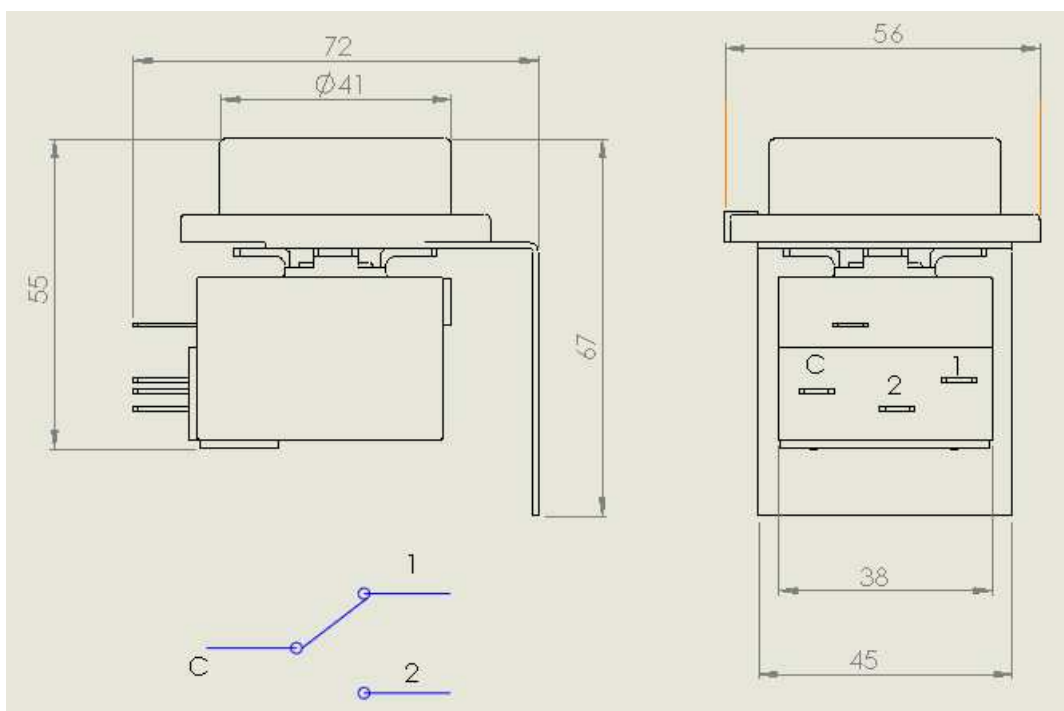
Specification:

Contact capacity: NC 15 (2.5) A/250V

Differential: 2/10K +/-2K

Maximum head temperature: 80°C

Size and wiring diagram:





RM 90-110°C MANUAL RESET BULB THERMOSTAT

Function:

90/110°C adjustable manual reset bulb thermostat with capillary liquid dilatation probe, unipolar switch with communication contact.

Application:

Particularly suitable for automatic temperature control of boilers, electric heaters, washing machine and dishwasher as well as various other application in the field of domestic and industrial heating.

The thermostat is provided with fixing bracket made of galvanized steel.

Specification:

Contact capacity: NC 15 (2.5) A/250V

Differential: 2/10K +/-2K

Maximum head temperature: 80°C

Size and wiring diagram:

